

## STEP #2: BUMPER INSTALLATION

Install the color coded BUMPERS (Yellow = Soft, Purple = Medium, Red = Hard) onto the bottom of the BASE PLATE using the supplied aluminum M6 BUTTON HEAD SCREWS. You need to use the BUMPERS that go with the DISK you are using. The BUMPERS are marked with dots that correspond to the 3 or 6 degree CANT DISKS (3 dots = 3 degree, 6 dots = 6 degree, and NO dots indicates a 0 degree BUMPER). The BUMPERS mount on the underside of the BASE PLATE. The holes you use will depend on the stance angle (see Step #3) that you ride with. The objective is to have the BUMPERS pre-load (compress) once the BASE PLATE is attached to the DISK (see diagram below). Use the supplied aluminum shims (some bumper sets) if needed.

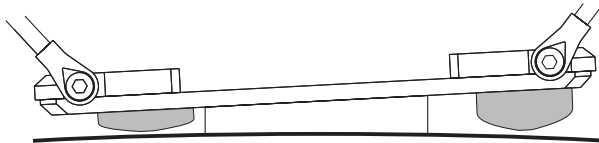
### CORRECT

BUMPERS touching the board with small amount (3mm or less) of compression.



### INCORRECT

BUMPERS NOT touching the board.



## STEP #3: STANCE ANGLES

Lay the BASE PLATE onto the DISK and line up the four threaded holes on the DISK with the four radial slots on the BASE PLATE. Install the four M8 FLAT HEAD SCREWS into each of the threaded holes. DO NOT TIGHTEN THEM DOWN YET. Turn each screw in and stop just before it touches the BASE PLATE. Rotate the BASE PLATE to the desired angle and then tighten the four M8 FLAT HEAD SCREWS progressively in a cross pattern.

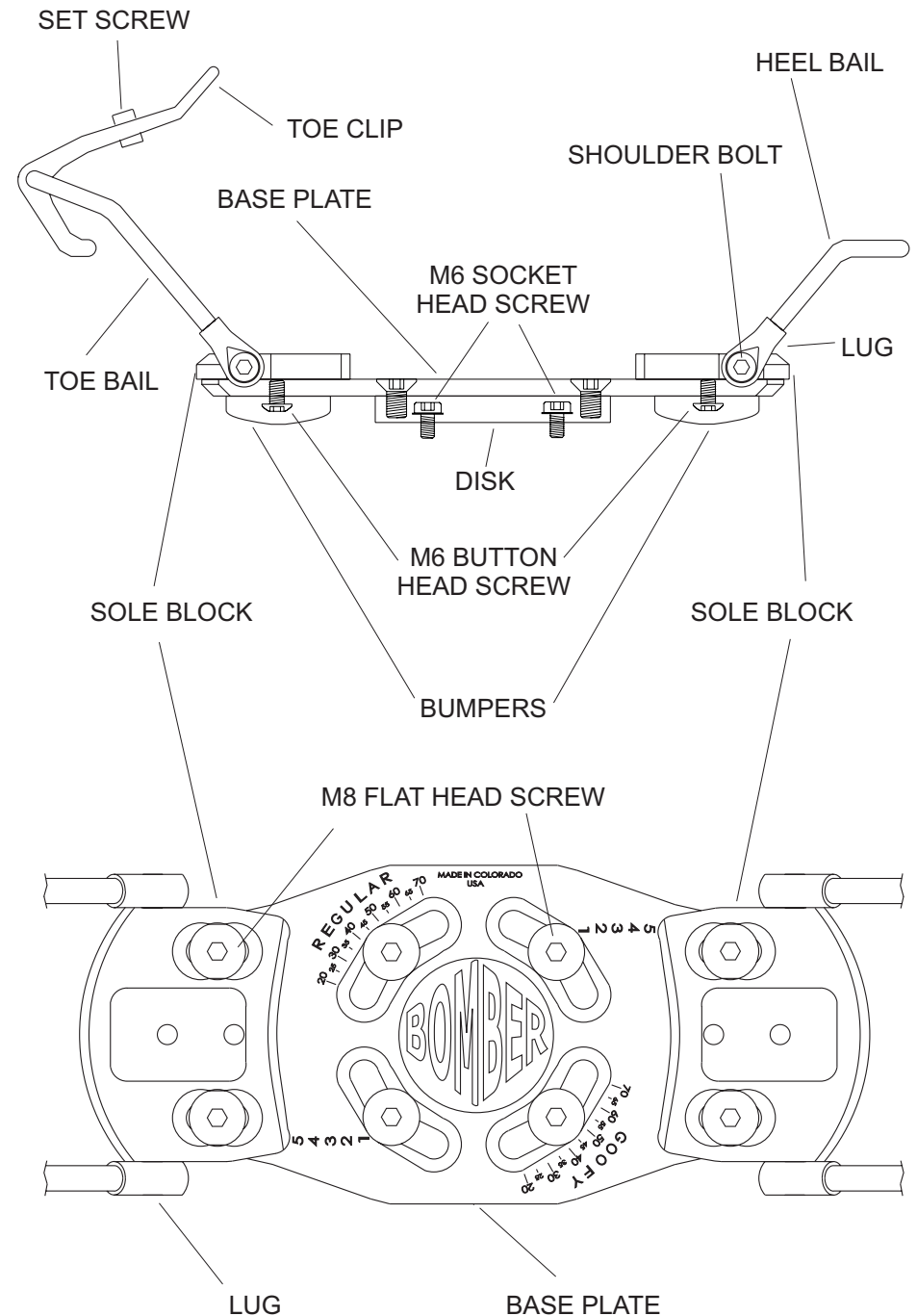
There are two separate markings for the degree of angle adjustment. Depending on the way you ride use either the "REGULAR" or "GOOFY" settings. Line the desired angle marking up with the CENTER of the M8 FLAT HEAD SCREW.

## STEP #4: BOOT FITTING

A limited number of boots will not fit in the standard TOE BAIL width. Contact Bomber Industries to receive instructions on how to make these boots fit.

You need to position the BAILS so that the binding closes firmly around the base of the boot. Enough tension is necessary so that the boot does not come out of the binding while in use. To do this you need to move the SOLE BLOCKS towards each other or away from each other. Loosen/remove M8 FLAT HEAD SCREWS on SOLE BLOCKS assembly, move to desired position and then install and tighten screws. Test with boot and repeat as necessary. It should only take ONE hand to open and close the binding. More tension than this is not necessary for the binding to operate properly.

**MICRO-ADJUSTMENT OF BAIL TENSION:** If you wish to fine tune the tension on your BAILS then you can take advantage of the micro-adjustment on the BAIL/LUG assembly. Remove both SHOULDER BOLTS from the LUGS on each side of the BAIL. At this point you can turn the LUG either in or out in increments of one turn. **IMPORTANT:** make sure to turn each LUG the same amount as it is crucial that both LUGS are positioned at the same height on the BAIL. If you lose track of where they are turn them all the way in and start from there. The factory setting is with them all the way in. **IMPORTANT: DO NOT TURN THE LUGS OUT MORE THAN TWO FULL TURNS, IF YOU SEE THREADS, STOP! THAT IS AS FAR AS YOU CAN GO.** Now reinstall the SHOULDER BOLTS and tighten. **NOTE:** put a dab of threadlock on the SHOULDER BOLT threads and a dab of lubrication (water proof



## STEP #5: FINAL TOUCHES

Install the safety leash and double check that all the screws are installed and tight. Check the screws every time you take the board out.

Now go carve up the slopes and enjoy the benefits of the Bomber "Trench Digger"!

### TECH TIPS & SUGGESTIONS

If you tighten/adjust the binding while on the snow take the time to clean the snow out of the screw sockets BEFORE inserting the 5 mm key. Not doing so might cause the socket of the screw to strip.

When installing the BUMPERS with the 0 degree CANT DISK, place them in the outer most holes in the BASE PLATE. This will help the BUMPERS work to their fullest potential.

As with all high performance equipment the bindings should be cleaned and dried after each use.

Manufactured by:

### **BOMBER INDUSTRIES, Inc.**

P.O. Box 1667, 129 W. 10th St. Unit A  
Silverthorne, CO, 80498, USA

Phone: 970-513-7733 Fax: 970-513-7833

E-Mail: bomber@bomberonline.com

Web: [www.bomberonline.com](http://www.bomberonline.com)

## LIMITED FIVE YEAR WARRANTY

The Bomber Snowboard Binding is warranted by Bomber Industries, Inc., dba BOMBER SNOWBOARD BINDINGS, to be free from defects in workmanship and materials to the original Purchaser for a period of FIVE YEARS from the date of purchase. In the event of a defect in workmanship or materials covered by this warranty, Bomber Industries will either repair or replace the defective components at its option, at no cost to the Purchaser except for transportation and shipping charges. Warranty does not cover finish, fading, or normal wear. The warranty does not cover stripped or damaged screw heads. The warranty does not cover bindings that have been abused or mis-used in any form. Please contact us BEFORE sending your product in for warranty. You will need to include your proof of purchase. ANY ATTEMPT BY THE PURCHASER TO REPAIR OR MODIFY THE BOMBER SNOWBOARD BINDING

Except to the extent specified in this warranty, BOMBER INDUSTRIES EXPRESSLY DISCLAIMS ALL WARRANTIES, WHETHER EXPRESSED OR IMPLIED, INCLUDING ANY IMPLIED WARRANTIES OF MERCHANTABILITY OR FITNESS FOR A PARTICULAR PURPOSE AND ANY OTHER OBLIGATIONS OF BOMBER INDUSTRIES. BOMBER INDUSTRIES AUTHORIZES NO OTHER PERSON TO ASSUME FOR IT ANY LIABILITY IN CONNECTION WITH THE SALE OR USE OF THE BOMBER

BOMBER INDUSTRIES LIABILITY UNDER THIS WARRANTY SHALL NOT BE EFFECTIVE OR ACTIONABLE UNLESS THE BOMBER SNOWBOARD BINDING IS USED AND MAINTAINED IN ACCORDANCE WITH THE INSTRUCTIONS CONTAINED IN THIS BOOKLET. IN NO EVENT SHALL BOMBER INDUSTRIES BE LIABLE FOR INCIDENTS

This warranty gives you specific legal rights and you may also have other rights which vary from state to state. Some states do not allow limitations on how long implied warranties last and some states do not allow the exclusion or limitation of incidental or consequential damages, so the above limitations or exclusions may not apply to you.



## BOMBER "TRENCH DIGGER" SNOWBOARD PLATE BINDING

ATTENTION: Please read this document prior to installation and use !

Thank you for purchasing the BOMBER TRENCH DIGGER. We have designed and built this binding to offer top performance and durability. By following these instructions you will be able to enjoy the outstanding features that Bomber Snowboard Bindings offer. Make sure to visit our website for more information on this product and other carving products at:

**[WWW.BOMBERONLINE.COM](http://WWW.BOMBERONLINE.COM)**

Understand that snowboarding is a hazardous sport. No matter how good or careful you are, you will always risk injury when you snowboard. We urge you to always ride in control and obey the area's responsibility code. Bomber Industries, Inc. will not be liable for any direct or indirect special or consequential damages caused by use of this product.

Also understand that plate bindings are NON-RELEASABLE. In the event of a crash they will NOT release.

## INSTALLATION/ADJUSTMENT:

### STEP #1: STANCE WIDTH POSITIONING - INSTALLING DISKS

Four M6 SOCKET HEAD SCREWS are used on each DISK. The DISKS will work for either 3 or 4 hole patterned boards. Adjust stance width by positioning the DISKS over various sets of inserts on the board. For a finer adjustment of stance width choose alternate holes in the DISK. The 3 and 6 degree discs should slope towards the MIDDLE of the snowboard. After location has been determined tighten down all screws but do not over tighten. Use the 5mm key supplied with the bindings.